

## 30W POWER SUPPLY

The E2 family of AC/DC switch mode power supplies offers an unmatched degree of flexibility. A variety of housings and customization options allow the same reliable electronic core to be used in a wide range of applications.

### Features

- MTBF >2.500.000h at 40°C ambient
- Ultra low standby losses
- High Efficiency
- Protection class II
- Wide selection of output plugs
- Premium quality Japanese brand capacitors
- Manufacturing according to ISO 9001
- Short circuit proof
- Designed in Austria
- Made in the Czech Republic



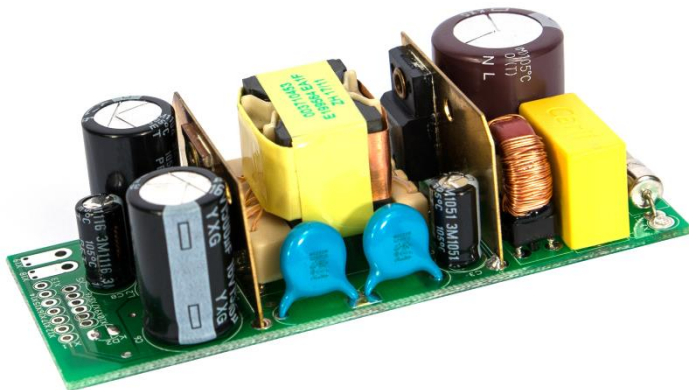
### Options

- Power on LED
- Constant current output
- Output power limit
- Fully programmable battery charger
- Customer specific connectors and housing
- Connection of PE to output or floating protective is possible

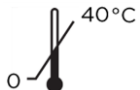


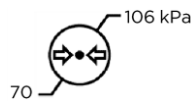
Specification		
Output Power	30	W
Output Voltage	5 - 24	V
Output current	3	A
Universal input voltage	90 - 264	V
Operating temperature	0 - 40	°C
Efficiency	typ. 88	%
Standby Power	typ. 33	mW
Efficiency level	VI	
Means of protection	2 x MOPP	
Insulation of output	SELV	
Leakage current	max. 100	µA

Housing versions			
Wall plug-in, fixed or interchangeable			
EU	UK	US	AUS
Desktop IEC 60320			
C14	C8	C18	
Open frame PCB			
Molex connectors		Wire leads	

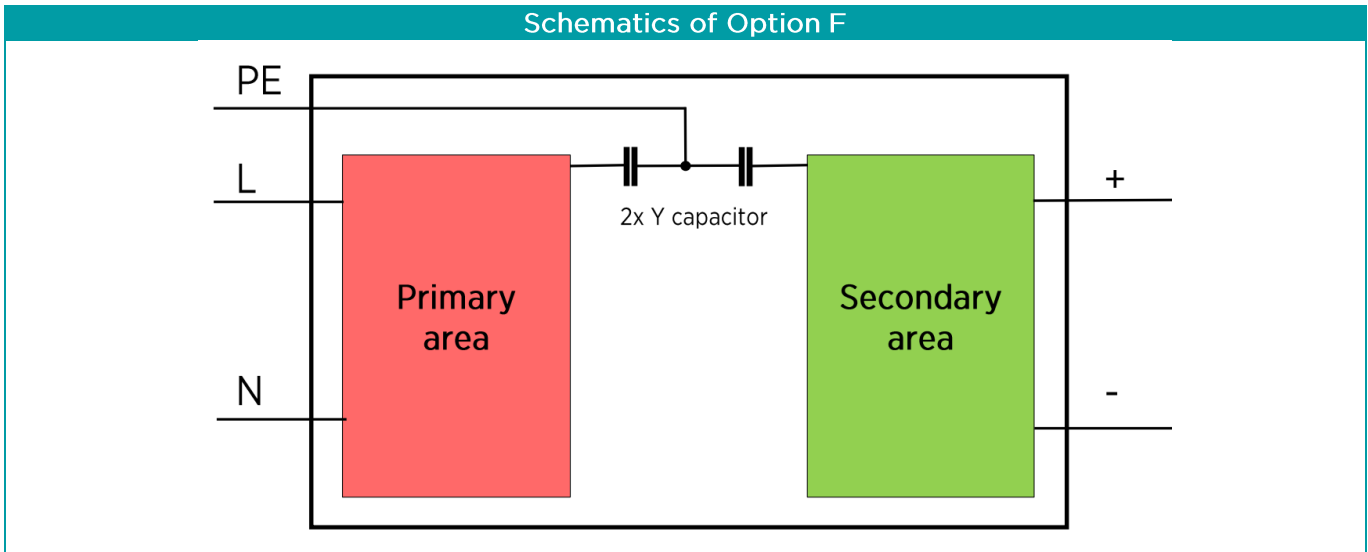
Approvals	



Test standards	
EN 55014-1 EN 55014-2 EN 55032 EN 55035 EN 60601-1-2	General EMC standards
EN 62368-1 UL 62368-1	Information technology equipment
EN 60335-1 EN 61558-2-16 EN 61558-1	Household devices (Not valid for Option E and F)
EN60601-1 ES 60601-1	Medical electrical equipment (Not valid for Option E and F)
EN60601-1-11 Degree of protection: IP22	Home healthcare environment Only for housing types: E, U, G, A

Parameter	Symbol	Min	Typ.	Max	Unit	Test Cond.	
Specifications are subject to change without any notice.							
Input Voltage	$U_{IN}$	90		264	$V_{AC}$		
	Operation above the specified maximum input voltage may cause damage. Below the minimum input voltage the unit does not meet the specification.						
Input Current	$I_{IN}$	9	300	600	mA		
Input Frequency	$f_{IN}$	47	50	63	Hz		
Efficiency	$\eta$		88		%	at full load	
Stand-by power	$P_{stb}$		33	75	mW	without load	
International efficiency mark		VI					
Output Power	$P_{out}$			30	W		
Output Voltage	$U_{out}$	5		24	$V_{DC}$		
Output voltage tolerance	$\Delta U_{out PCB}$			3	%	at PCB	
Output voltage tolerance at end of standard cable	$\Delta U_{out cable}$			+3/-5	%	12-24V $U_{out}$ 1,5m/0,5mm <sup>2</sup>	
Ripple Voltage	$U_{r rms}$			50	mV <sub>rms</sub>		
Output Current	$I_{out}$			3	A		
Max. Overload current	$I_{out overload}$		140		% of $I_{out}$	$U_{IN} = 264V$ $U_{IN} = 90V$	
			130				
Maximum 1 minute overload duration, followed by 15 minute cooldown period.							
Isolation	Galvanic isolation with safety extra low voltage (SELV) output						
Means of protection	2 x MOPP						
Dielectric Strength	Standard	3			$kV_{AC}$	50Hz sinusoidal waveform	
	Household	3,9					
	Medical	4,4					
Leakage current	$I_{LK}$			100	$\mu A$		
Internal Fuse	$I_F$		2		A	input L	
Approved for direct connection to 16A (20A) mains circuit.							
Operating Temperature		$T_{OP}$	0		40	$^{\circ}C$	free convection
Thermal protection		A thermal shut down protects the power supply and the surroundings form hazardous temperatures. To reset the thermal protection unplug the unit and allow it to cool down.					
Storage Temperature		$T_{ST}$	-30	25	80	$^{\circ}C$	
Humidity						95	%
Atmospheric Pressure							
				70		106	kPa
Single component failure	A single component failure does not cause any damage to persons or ambient (fire, explosions, etc).						
Disconnecting device	Direct plug-in	The power supply itself is the disconnecting device. Socket-outlet shall be easily accessible.					
	Desktop	The appliance inlet is considered as disconnecting device. Make sure that the appliance inlet is accessible to the operator.					

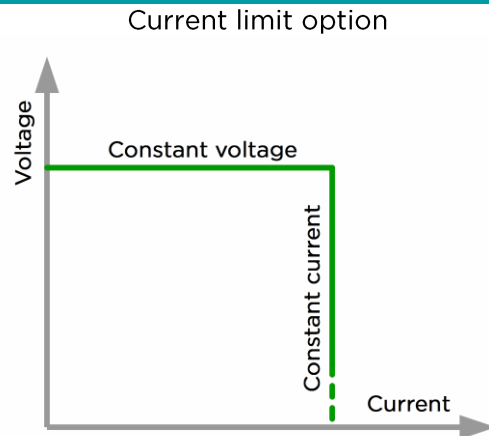
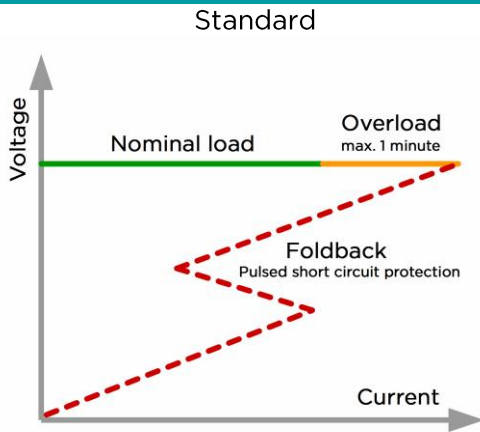
Ordering information and part number example									
<b>E2</b>	<b>C</b>	<b>F</b>	<b>M</b>	<b>W</b>	<b>3</b>	<b>LF</b>	<b>30</b>	<b>12V</b>	<b>2,5A</b>
	<b>Housing</b> E Euro plug U US, Canada plug G United Kingdom plug A Australia plug C Interchangeable plug D Desktop O Open Frame T Terminal		<b>Application</b> S Information Technology H Household M Medical		<b>Tolerance</b> 3 3% 1 1% on PCB	<b>Options</b> L Power On LED F Floating protective earth * E Protective earth connected to output “-“ * C Current Regulation W Waterproof		<b>Voltage</b> 5 - 24V  Fixed voltage set at factory	<b>Current</b> 0 - 3A  30W/U <sub>out</sub> max.
For versions with output cable please also specify the plug and cable length. Please refer to the document “secondary plug overview” for our range of standard cables, or specify a customer specific connector as required.									
* Option E and Option F are only in voltage range 12-24V available.									



**WARNING for Option E and Option F**  
These models are considered as CLASS I

Reliability		
MTBF	22,2 years	at 50°C ambient
MTBF calculation according to standards	MIL-HDBK-217 F; - Notice 1; - Notice 2	
Maintainability	The power supply is not to be repaired	

## Output template

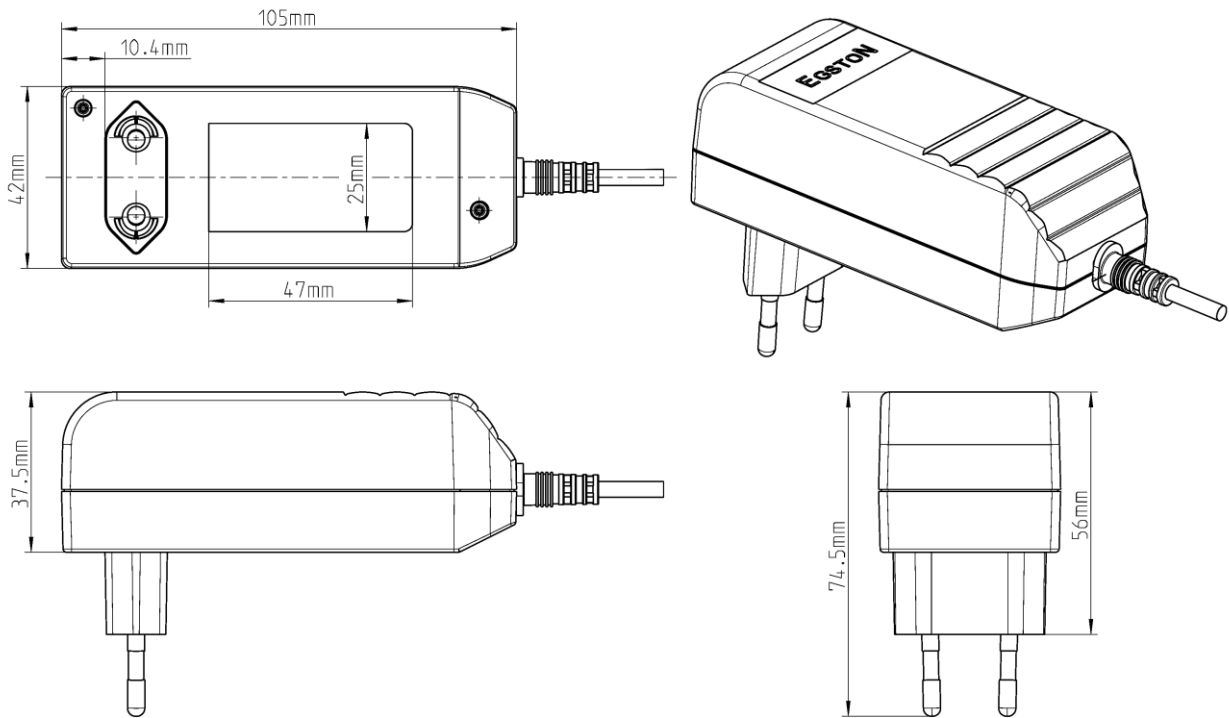


The power supply is protected against short circuit.  
A shorted output does not cause any damage, and normal operation will resume once the short is removed.

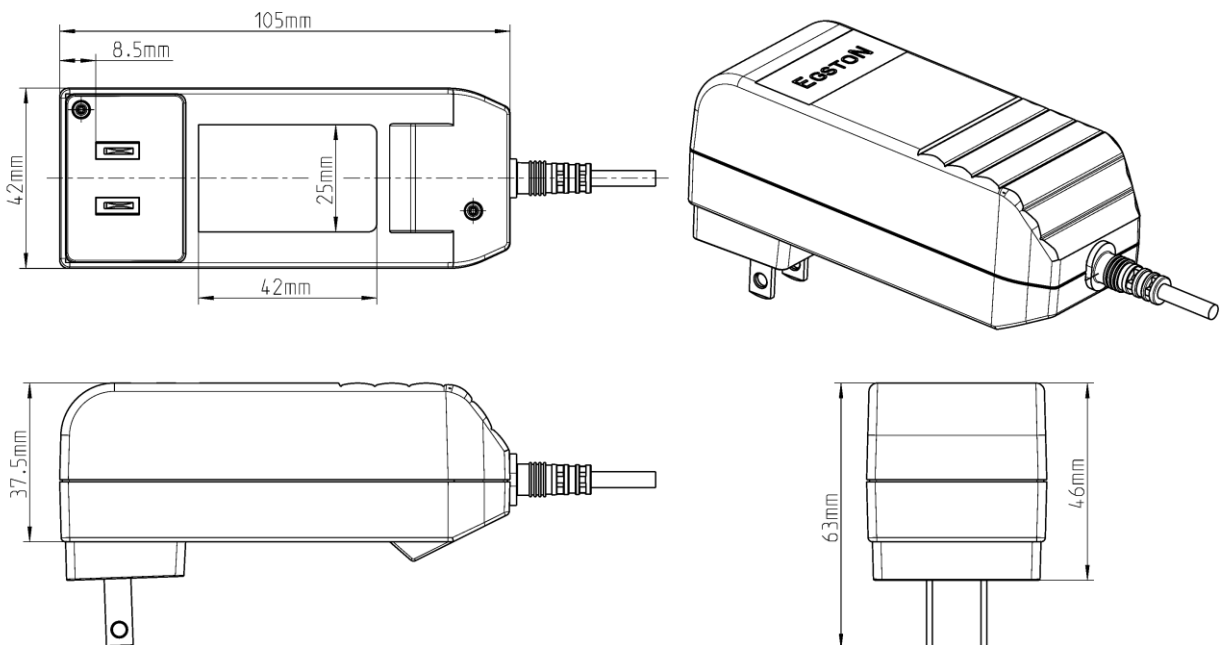
Laser marking	Marking plate symbol explanation	
Product name Input parameters Output parameters Safety instructions Date code of production CE marking Approval marks		Conformity with the relevant EU directives.
		Conformity with the relevant UK regulations.
		ENEC is the high quality European Mark for electrical products that demonstrates compliance with European standards (EN).
		NRTL Canada / USA Mark issued by Curtis Straus.
	RoHS conform 	The power supply has to be disposed appropriately according the local regulations for Waste Electrical and Electronic Equipment.
		For indoor use only.
		Read instruction manual.
		Unit shall not be used, if pins of the plug part are damaged
		FCC - EMC mark

Certification overview			
Housing	Information Technology	Household	Medical
EU, UK			
US, Canada			
Desktop			
Interchangeable Plug			
Cable-Cable			
Open frame	Optional: 	Optional: 	
Terminal	Optional: 	Optional: 	

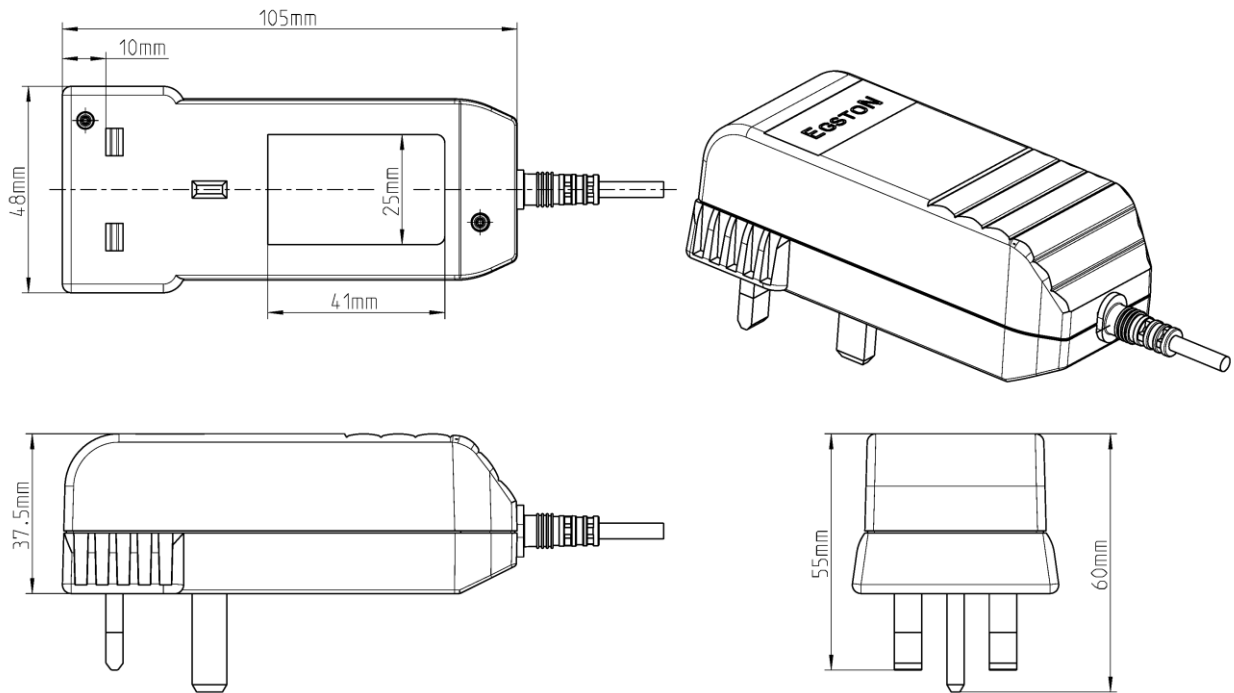
## Euro Housing



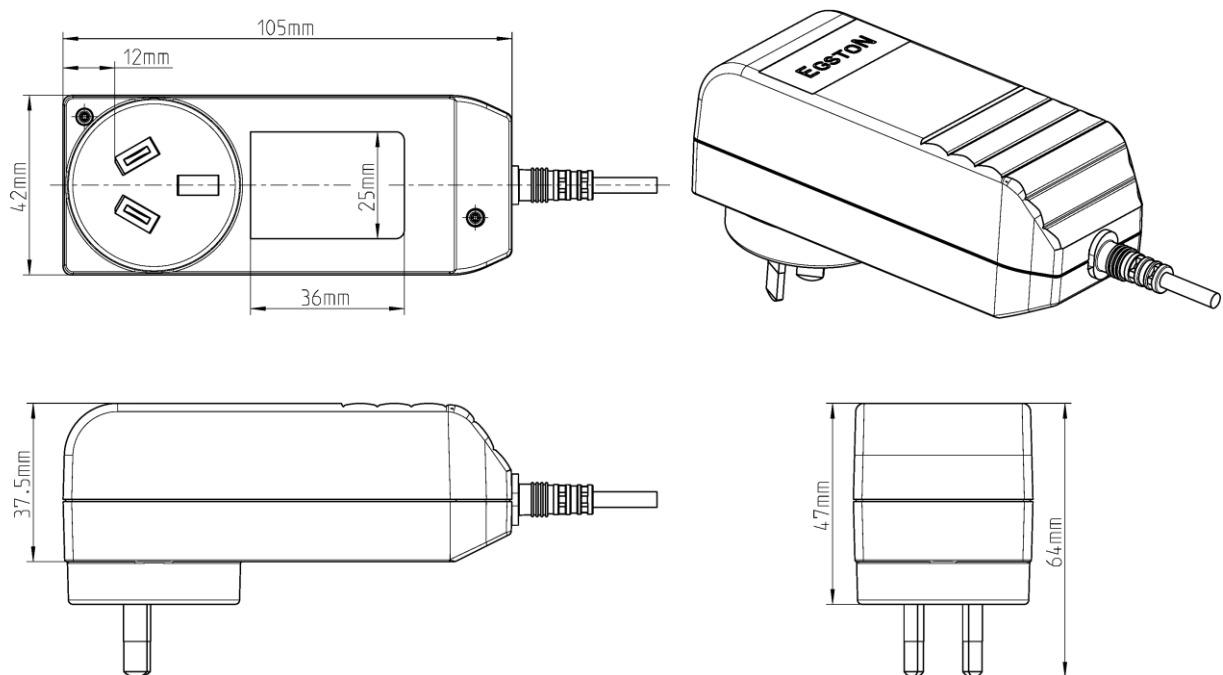
## US Housing



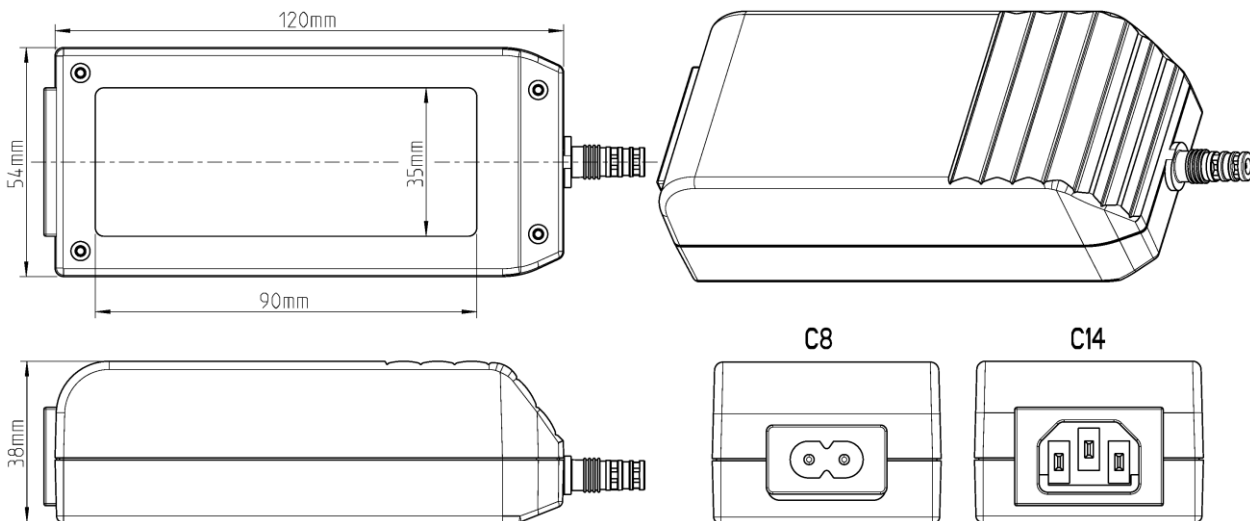
## UK Housing



## Australia Housing

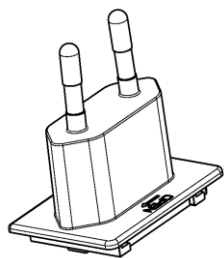
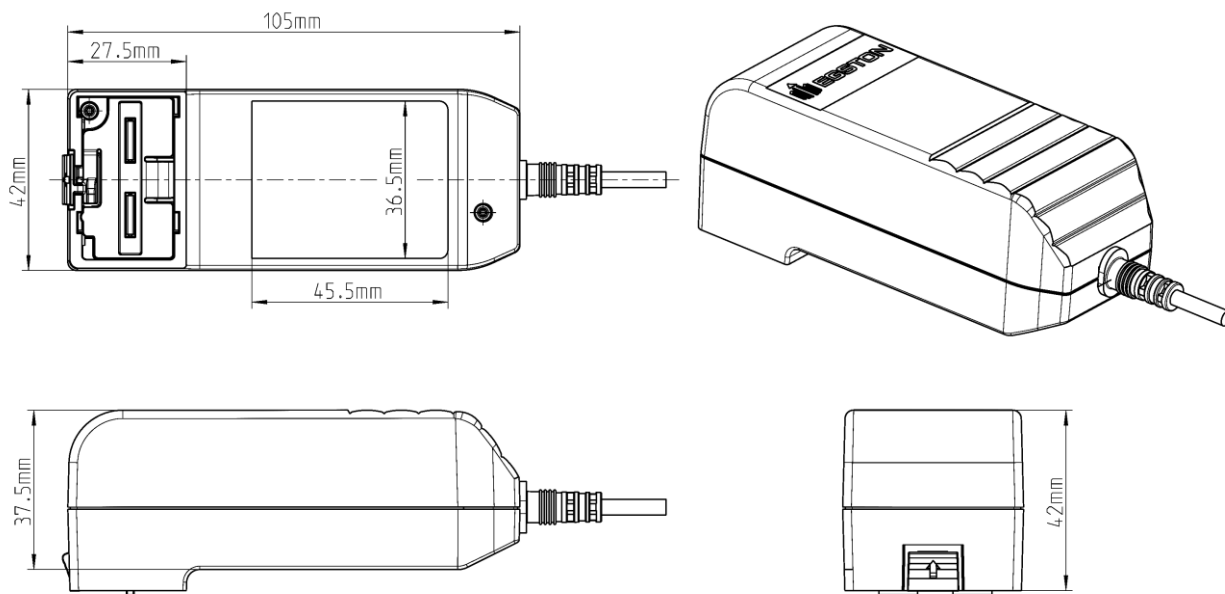


## Desktop Housing

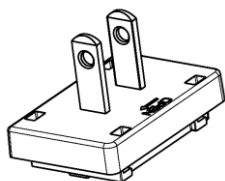


Recommended input power supply cord: 18AWG (0,75mm<sup>2</sup>) with maximum length of 1,5 meters

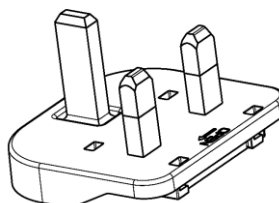
## Interchangeable Plug Housing



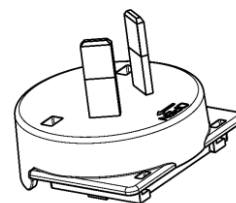
EU Plug  
according EN50075



US Plug  
according UL1310



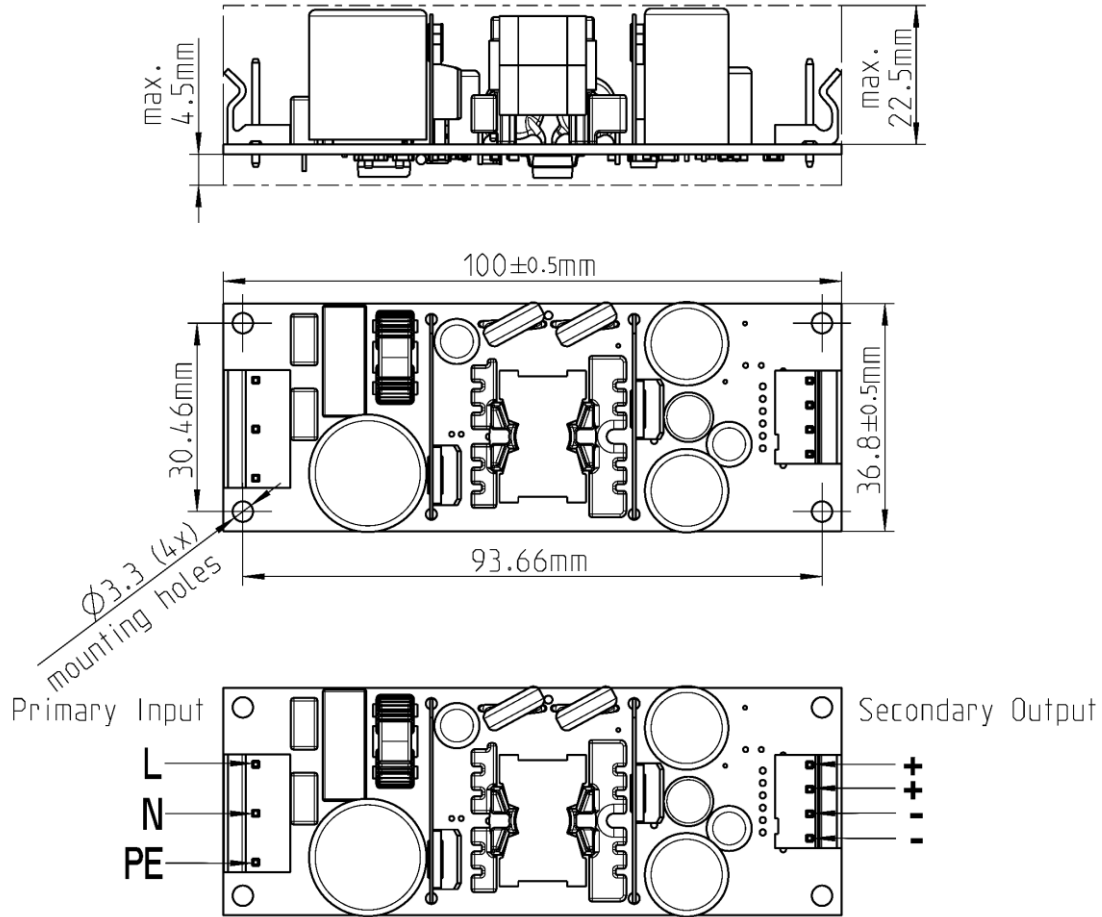
UK Plug  
according BS1363



Australia Plug  
acc. AS/NZS 3112



## Open Frame Version (Terminals)

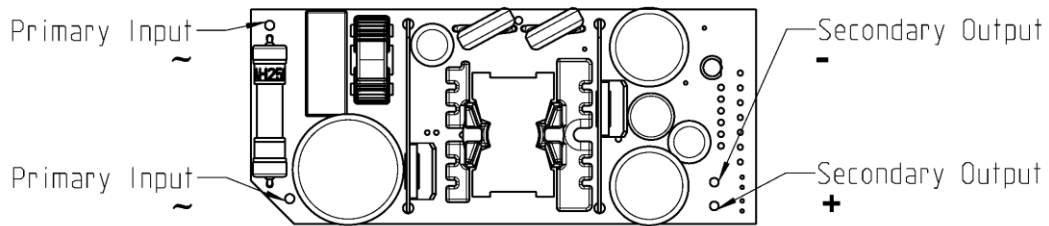
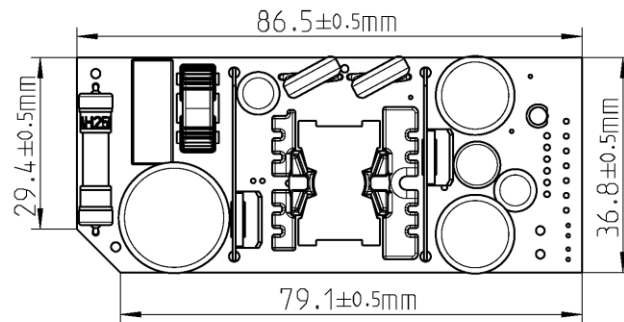
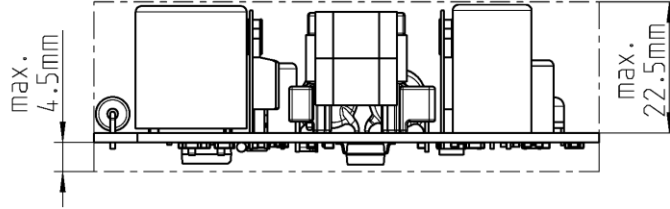


PCBA can be fixed onto customer application with screws M3 DIN 931 (max. torque 1Nm) and lock washers DIN 6797 which are positioned on the corners.

The PCBA has to be mounted without mechanical stress to protect the PCBA from distortion.

Primary connector X1	Connector Molex 10-63-4037 Mates with Molex 5239 housing Required crimp terminal: Molex 2478 / Phosphor Bronze
Secondary connector X2	Connector Molex 09-65-2048 Mates with Molex 5239 housing Required crimp terminal: Molex 2478 / Phosphor Bronze

## Open Frame Version (Wire Leads)



PCB thickness 1,5mm

Primary wires: 2x 0,75mm<sup>2</sup>, total length 2x 50mm

Packaging and weight			
<b>E2EFSW3 30 LV6</b>	pcs	kg	size (mm)
Single Carton	1	0,2	135x74x44
Power Supply per Packaging Case	50	10	406x286x247
Power Supply per Layer (EU- Pallet) 8 Packaging cases	400	80	1200x800x247
1 Full Pallet (6 Layer)	2400	500	1200x800x1500
<b>E2GFSW3 30 LV6</b>	pcs	kg	size (mm)
Single Carton	1	0,22	135x74x49
Power Supply per Packaging Case	50	11	406x286x272
Power Supply per Layer (EU- Pallet) 8 Packaging cases	400	88	1200x800x272
1 Full Pallet (5 Layer)	2000	460	1200x800x1500
<b>E2UFSW3 30 LV6</b>	pcs	kg	size (mm)
Single Carton	1	0,2	135x74x44
Power Supply per Packaging Case	50	10	406x286x247
Power Supply per Layer (EU- Pallet) 8 Packaging cases	400	80	1200x800x247
1 Full Pallet (6 Layer)	2400	500	1200x800x1500
<b>E2CFSW3 30 LV6</b>	pcs	kg	size (mm)
Single Carton (including Power Supply and 4 Adapters)	1	0,3	210x74x50
Power Supply per Packaging Case	25	7,5	406x286x272
Power Supply per Layer (EU- Pallet) 8 Packaging cases	200	60	1200x800x272
1 Full Pallet (5 Layer)	1000	300	1200x800x1500
<b>E2AFSW3 30 LV6</b>	pcs	kg	size (mm)
Single Carton	1	0,22	135x74x49
Power Supply per Packaging Case	50	11	406x286x272
Power Supply per Layer (EU- Pallet) 8 Packaging cases	400	88	1200x800x272
1 Full Pallet (6 Layer)	2000	460	1200x800x1500
<b>E2DFSW3 30 LV6</b>	pcs	kg	size (mm)
Single Carton	1	0,22	150x74x49
Power Supply per Packaging Case	50	11	460x366x255
Power Supply per Layer (EU- Pallet) 9 Packaging cases	450	120	1200x800x460
1 Full Pallet (3 Layer)	1350	318	1200x800x1500
<b>E2TFxW3 30 LV6</b>	pcs	kg	size (mm)
Power Supply (without packaging)	1	0,074	100x36,8x28
Single Carton (including bag and power supply)	1	0,1	125x59x38
Power Supply per Packaging Case	50	5,35	320x270x220
Power Supply per Layer (EU- Pallet) 8 Packaging cases	400	43	1200x800x220
1 Full Pallet (6 Layer)	2400	257	1200x800x1320
<b>E2OFxW3 30 LV6</b>	pcs	kg	size (mm)
Bulk Packaging (20 devices)	1	2,2	306x215x100
Power Supply per Layer (EU- Pallet) 10 Bulk Packaging cases	200	22	1200x800x100
1 Full Pallet (14 Layer)	2800	308	1200x800x1500

EMC – Special requirements according medical standard (Only for medical devices)	
Intended use and intended environment	Home healthcare and/or Professional environment
Basic safety and essential performance of the EUT	The power supply unit is not a medical end product, therefore no essential performance is defined by the manufacturer.
Basic safety regarding EMC	The power supply has to ensure proper output voltage according to its characteristics, without service within expected service life.
WARNINGS	Medical electrical equipment needs special precautions regarding EMC and needs to be installed according to EMC information.
	PE of power supply shall be connected to PE of end medical product. User shall not modify power supply.
	The switch mode power supply is designed to achieve the EMI behavior of the specified environment, it includes specific EMI filter to reduce the emissions which are specified in the IEC60601-1-2 standard.
	Please read the complete technical documentation to avoid adverse events to the patient and operator. Read also instructions for use.

## EMC - Environment

The power supply is intended for use in the electromagnetic environment specified below. The customer or the user of the power supply should assure that it is used in such an environment.

Emissions test	Compliance	Electromagnetic environment - guidance
RF emissions CISPR 11	Group 1	The power supply uses RF energy only for its internal function. Therefore, its RF emissions are very low and are not likely to cause any interference in nearby electronic equipment.
RF emissions CISPR 11	Class B	The power supply is suitable for use in all establishments, including domestic establishments and those directly connected to the public low-voltage power supply network that supplies buildings used for domestic purposes.
Harmonic emissions IEC 61000-3-2	Complies	
Voltage fluctuations / flicker emissions IEC 61000-3-3	Complies	

Immunity test	EN 60601-1-2:2015 test level	Achieved levels according EN 60601-1-2:2015 and achieved levels from additional standards.	Electromagnetic environment - guidance
Proximity magnetic fields IEC 61000-4-39	30kHz , CW , 8A/m  134,2kHz , Pulse modulation 2,1kHz b), 65A/m c)  13,56MHz , Pulse modulation 50kHz b), 7,5A/m c)	30kHz , CW , 8A/m  134,2kHz , Pulse modulation 2,1kHz b), 65A/m c)  13,56MHz , Pulse modulation 50kHz b), 7,5A/m c)	b) The carrier shall be modulated using a 50% duty cycle square wave signal  c) Immunity test level in A/m RMS before modulation is applied
Electrostatic discharge (ESD) IEC 61000-4-2	± 8 kV contact  ±2 kV, ± 4 kV, ± 8 kV, ± 15 kVair	± 8 kV contact  ±2 kV, ± 4 kV, ± 8 kV, ± 15 kVair	Floors should be wood, concrete or ceramic tile. If floors are covered with synthetic material, the relative humidity should be at least 30%.
Electrical fast	± 2 kV	± 2 kV (mains input),	Mains power quality should be that of a

transient/burst IEC 610004-4	100 kHz repetition frequency	100 kHz $\pm 2$ kV (DC output), 5 kHz	typical commercial or hospital environment.
Surge IEC 61000-4-5	Line-Line: $\pm 0,5$ kV, $\pm 1$ kV Line-to-ground: $\pm 0,5$ kV, $\pm 1$ kV, $\pm 2$ kV	$\pm 1$ kV symmetrical – Differential mode (AC), $\pm 2$ kV symmetrical – Common mode (AC), $\pm 0.5$ kV symmetrical – Differential mode (DC), $\pm 0.5$ kV symmetrical – Common mode (DC), 1.2/50 us Open Circuit Voltage	Mains power quality should be that of a typical commercial or hospital environment.
Voltage dips, short interruptions and voltage variations on power supply input lines IEC 61000-4-11	0 % Ut; 0,5 cycle At 0°, 45°, 90°, 135°, 180°, 225°, 270° and 315° <hr/> 0 % Ut; 1 cycle and 70 % Ut; 25/30 cycles Single phase: at 0° <hr/> 0 % Ut; 250/300 cycle	0 % Ut; 0,5 cycle At 0°, 45°, 90°, 135°, 180°, 225°, 270° and 315° <hr/> 0 % Ut; 1 cycle and 70 % Ut; 25/30 cycles Single phase: at 0° <hr/> 0 % Ut; 250/300 cycle	Mains power quality should be that of a typical commercial or hospital environment. If the user of the power supply requires continued operation during power mains interruptions, it is recommended that the power supply is powered from an uninterruptible power supply or battery.
Power frequency (50/60 Hz) magnetic field IEC 61000-4-8	30 A/m	1, 3, 30 A/m	Power should be at levels characteristic of frequency magnetic fields a typical location in a typical commercial or hospital environment.
Conducted RF IEC 61000-4-6	6 Vrms 150 kHz to 80 MHz	6 Vrms	Portable and mobile RF communications equipment should not be used closer to any part of the power supply, including cables, than the recommended separation distance.
Radiated RF IEC 61000-4-3	10 V/m 80 MHz to 2.7 GHz	10 V/m	Recommended separation distances see following table.
<p>Field strengths from fixed transmitters such as base stations for radio (cellular/cordless) telephones, land mobile radios, amateur radio, AM and FM radio broadcast and TV broadcast, cannot be predicted theoretically with accuracy. To assess the electromagnetic environment due to fixed RF transmitters an electromagnetic site survey should be considered. If the measured field strength in the location in which the power supply is used, exceeds the applicable RF compliance level above, the power supply should be observed to verify normal operation. If abnormal performance is observed, additional measures may be necessary, such as reorienting or relocating the power supply.</p> <p>Field strengths from fixed RF transmitters, as determined by an electromagnetic site survey should be less than the compliance level in each frequency range. Over the frequency range 150 kHz to 80 MHz, field strength should be less than 3 V/m.</p>			
<p>Interference may occur in the vicinity of equipment marked with the following symbol: </p>			
Proximity fields from RF wireless communications equipment IEC 61000-4-3	<b>Frequency range and Level: RF wireless communication equipment</b>		
	Test Frequency (MHz)	Modulation	Immunity Level (V/m)
	385	**Pulse Modulation: 18Hz	27
	450	*FM $\pm 5$ Hz deviation: 1kHz sine	28
	710 745 780	**Pulse Modulation: 217Hz	9
810 870 930	**Pulse Modulation: 18Hz	28	
<p>Supplementary information: EUT powered at one of the nominal input voltages and frequencies.  Dwell time minimum 1s. Actual dwell time noted in results table.  Note * - As an alternative to FM modulation, 50% pulse modulation at 18Hz may be used because while it does not represent actual modulation,</p>			

	1720 1845 1970	**Pulse Modulation: 217Hz	28	<p>it would be worst case.</p> <p>Note ** - The carrier shall be modulated using 50% duty cycle square wave signal.</p>
	2450	**Pulse Modulation: 217Hz	28	
	5240 5500 5785	**Pulse Modulation: 217Hz	9	

## Recommended separation distances between portable and mobile RF communications equipment and the power supply

The power supply is intended for use in the electromagnetic environment in which radiated RF disturbances are controlled. The customer or the user of the power supply can help prevent electromagnetic interference by maintaining a minimum distance between portable and mobile RF communications equipment (transmitters) and the power supply as recommended below, according to the maximum output power of the communication equipment.

Rated maximum output power of transmitter (W)	Separation distance according to frequency of transmitter (m)		
	150 kHz to 80 MHz $d = 1.2\sqrt{P}$	80 MHz to 800 MHz $d = 1.2\sqrt{P}$	800 MHz to 2.5 GHz $d = 2.3\sqrt{P}$
0.01	0.12	0.12	0.23
0.1	0.38	0.38	0.73
1	1.2	1.2	2.3
10	3.8	3.8	7.3
100	12	12	23

For transmitters rated at a maximum output power not listed above, the recommended separation distance  $d$  in metres (m) can be determined using the equation applicable to the frequency of the transmitter, where  $P$  is the maximum output power rating of the transmitter in watts (W) according to the transmitter manufacturer.

- NOTE 1 At 80 MHz and 800 MHz, the separation distance for the higher frequency range applies.
- NOTE 4 These guidelines may not apply in all situations. Electromagnetic propagation is affected by absorption and reflection from structures, objects and people.

## Energy Efficiency

This power supply family fulfills Directive 2009/125/EC with Commission Regulation (EU) 2019/1782. The vales “Average active efficiency”, “Efficiency at low load” and “No-load power consumption” are typical measured values, measured at one representative sample at an input voltage of 230VAC.

Input specification		
Input Voltage	100-240	VAC
Input Frequency	50-60	Hz

Output specification						
Output voltage	5	9	12	15	24	VDC
Output current	3	3	2,5	2	1,25	A
Output power	15	27	30	30	30	W
Average active efficiency (100%/75%/50%/25%)	82,31	86,79	88,08	88,24	89,06	%
Efficiency at low load (10 %)	79,95	84,45	85,29	84,95	83,58	%
No-load power consumption	22	33	33	33	58	mW

Revision	Date	Author	Change
A	09.08.2016	Krimmel	First edition
B	08.03.2017	Mauritz	Disconnecting Device added
C	21.07.2017	Obritzhauser	Update 60601-1 EMC test level
D	07.08.2017	Mauritz	HV testing voltage changed
E	19.12.2017	Mauritz	MTBF added
F	08.09.2018	Trethan	Update to new document design
G	06.03.2019	Mauritz	ENEC at open frame optional
H	21.03.2019	Mauritz	Disconnecting device changed
I	27.08.2019	Mauritz	Test standards changed
J	13.02.2020	Mauritz	Energy Efficiency added
K	14.04.2020	Mauritz	Parameter Symbols added, Test standards changed
L	17.11.2020	Mauritz	Trademark Pulse added
M	05.03.2021	Mauritz	Options adapted, FCC - EMC mark added, Test standards changed
N	23.08.2021	Mauritz	Trademark Pulse removed
O	01.09.2021	Mauritz	Approvals: FCC changed, UKCA mark added
P	21.11.2022	Mauritz	Marking plate symbol explanation changed
Q	25.01.2023	Mauritz	Pro Proximity magnetic fields added, EN 55024 changed to EN 55035
R	01.10.2024	Mauritz	WARNING for Option E and Option F added

## CONFIDENTIAL

This document contains proprietary information originated and/or owned by EGSTON System Electronics Eggenburg GmbH. This information shall not be duplicated, used or disclosed in whole, or in part, to any other party or used for any other purpose without the prior consent of EGSTON System Electronics Eggenburg GmbH.

Copyright © 2024 EGSTON System Electronics Eggenburg GmbH, A-3730 Eggenburg, Grafenberger Straße 37  
All Rights Reserved.